

The Growco ATG Series servo tank gauges are designed in the most advanced technology with integrated circuitry utilizing stringent military processing technology to ensure high precision and rugged construction for long term reliability. These tank gauges use industry standard communication protocols which make them to have easy access to the DCS systems or other common control devices. The ATG Series are used widely for tanks in the oil storage tanks terminals, refineries, petrochemical complex as well as industries such as foodstuff, chemical, water treatments plants, etc.

➤ **FEATURES:**

- Unique design of the patented technology, processing quality of military standards;
- Ability to measure the liquid level, interface (water level), temperature, density, volume & mass;
- High Accuracies. The measurement accuracy of liquid level is ± 0.75 mm, the sensitivity is ± 0.1 mm, the temperature accuracy is $\pm 0.1^{\circ}\text{C}$ while the density accuracy is $\pm 0.0025\text{g/cm}^3$ and water level is ± 2 mm;
- Option with external temperature probe;
- Built-in anti-lightning module;
- Various power supply of 220VAC or 110VAC or 24 - 48VDC;
- The local display is optional;
- Remote control operation functions which can set the level of various parameters through remote control;



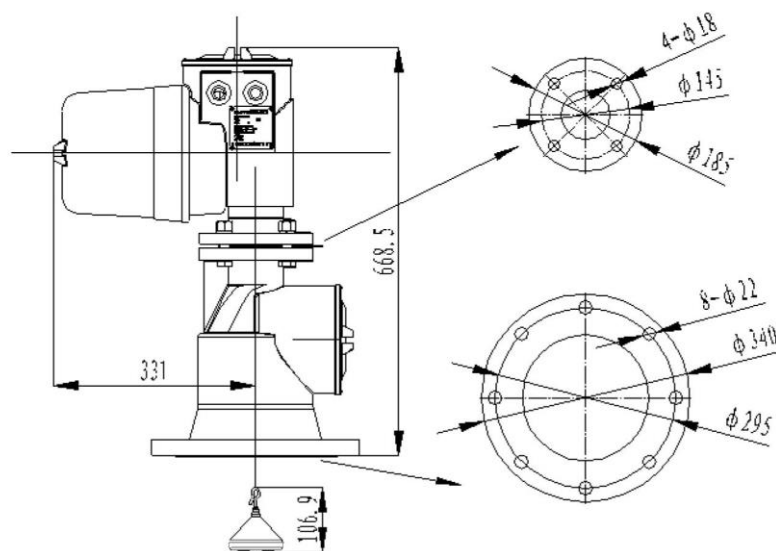
**Typical Photograph of
ATG Series**

TYPICAL SPECIFICATIONS:

- Liquid level accuracy : $\pm 0.75\text{mm}$
- Temperature accuracy : $\pm 0.1^\circ\text{C}$
- Density accuracy : $\pm 0.0025\text{g/cm}^3$
- Water level : $\pm 2\text{mm}$
- Sensitivity : $\pm 0.1\text{mm}$
- Repeatability : $\pm 0.1\text{mm}$
- Measuring range : 0 - 32m
- Environment temperature: -40 to +70°C
- Power supply : VAC or VDC
(see the model selection table)
- Isolating Voltage : $> 1,500\text{V}$
- Enclosure : IP65
- Classifications : ExdIIBT6Gb
- Power Consumption : $< 5\text{W}$
- Standard Output : RS485
- Communication Options : 4 - 20mA, HART, BPM, MODBUS
- Approximate Weight : $< 17.5\text{Kg}$
- Housing material : Aluminum alloy
- Cable entries : $4 \times 3/4\text{NPT}$

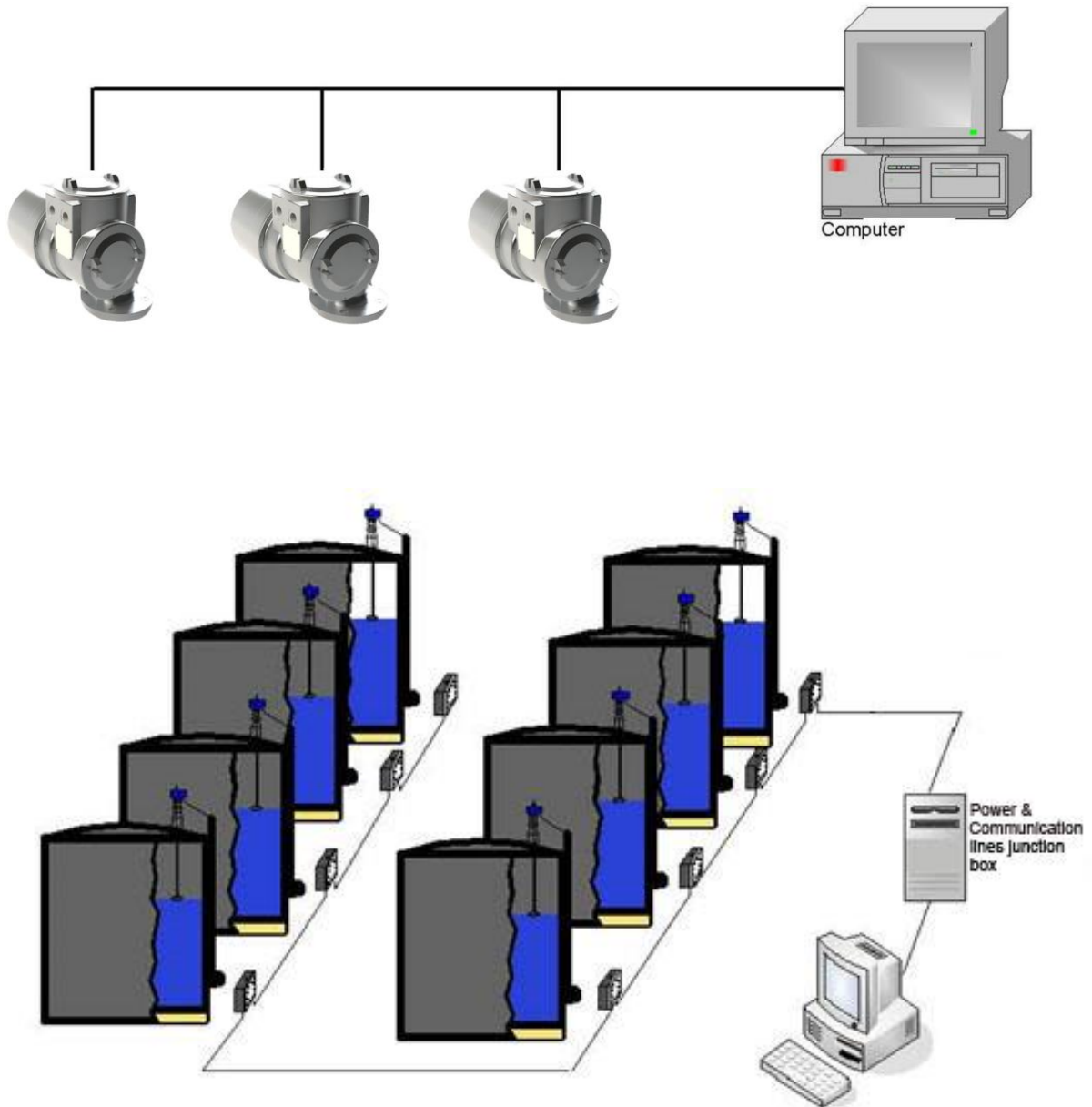
➤ PRINCIPLE OF OPERATION:

The Growco ATG Series servo tank gauges are designed in the most advanced technology with integrated circuitry utilizing stringent military processing technology to ensure high precision and rugged construction for long term reliability. It comes with a displacer with options for various types to measure liquid level, water level and density. This displacer is utilizing on the buoyancy of the float. It is currently the best available choice in tank gauges technologies replacing the traditional mechanical level gauges, radar gauges or other type of gauges. Please see below diagram on our ATG and calibration adaptor for more details:



TYPICAL ARRANGEMENT OF MULTIPLE INSTALLATIONS:

The Growco ATG Series servo tank gauges which use VAC or VDC power supply can also be connected with the computers of RS485 communication equipment. In order to prevent interference, power cables and signal wires are to be connected into separate cable conduits. Below is the typical arrangement of multiple installations of the Growco ATG series servo tank gauges:

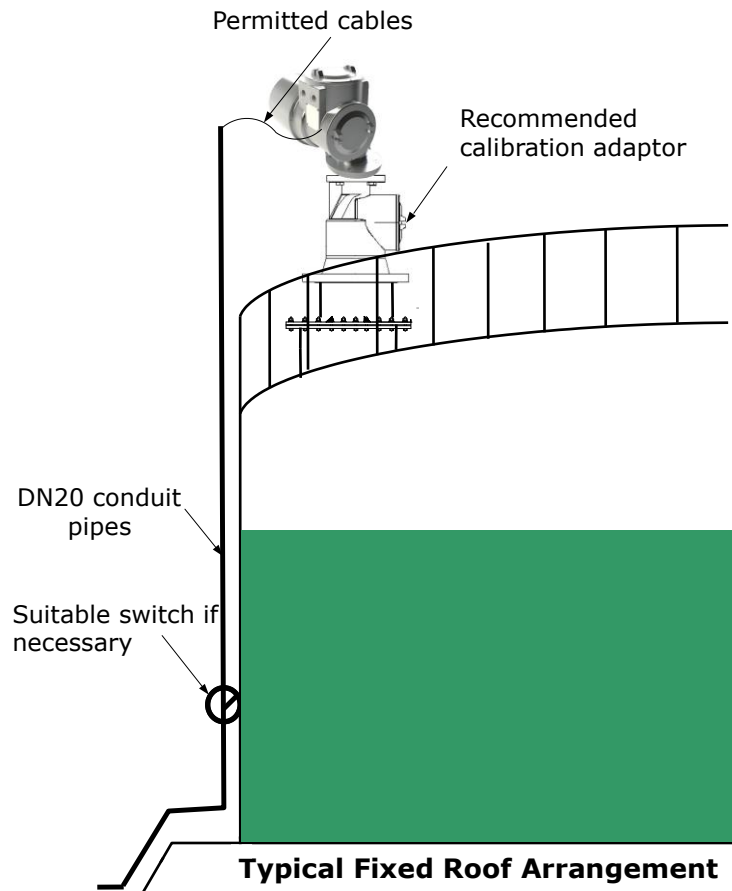


Typical Multiple Installations

GROWCO ATG SERIES SERVO TANK GAUGES: SOME POSSIBLE INSTALLATIONS ARRANGEMENTS

The Growco ATG series tank gauges can be installed on the vertical fixed roof tanks, vertical floating roof tanks, horizontal tanks, spherical tank and other tanks.

1. The installation on the fixed roof tanks are recommended to use stilling wells when the condition permits for better performance.



2. The installation for floating roof tanks must be installed with proper stilling wells as shown (right) to prevent problem to the displacers.

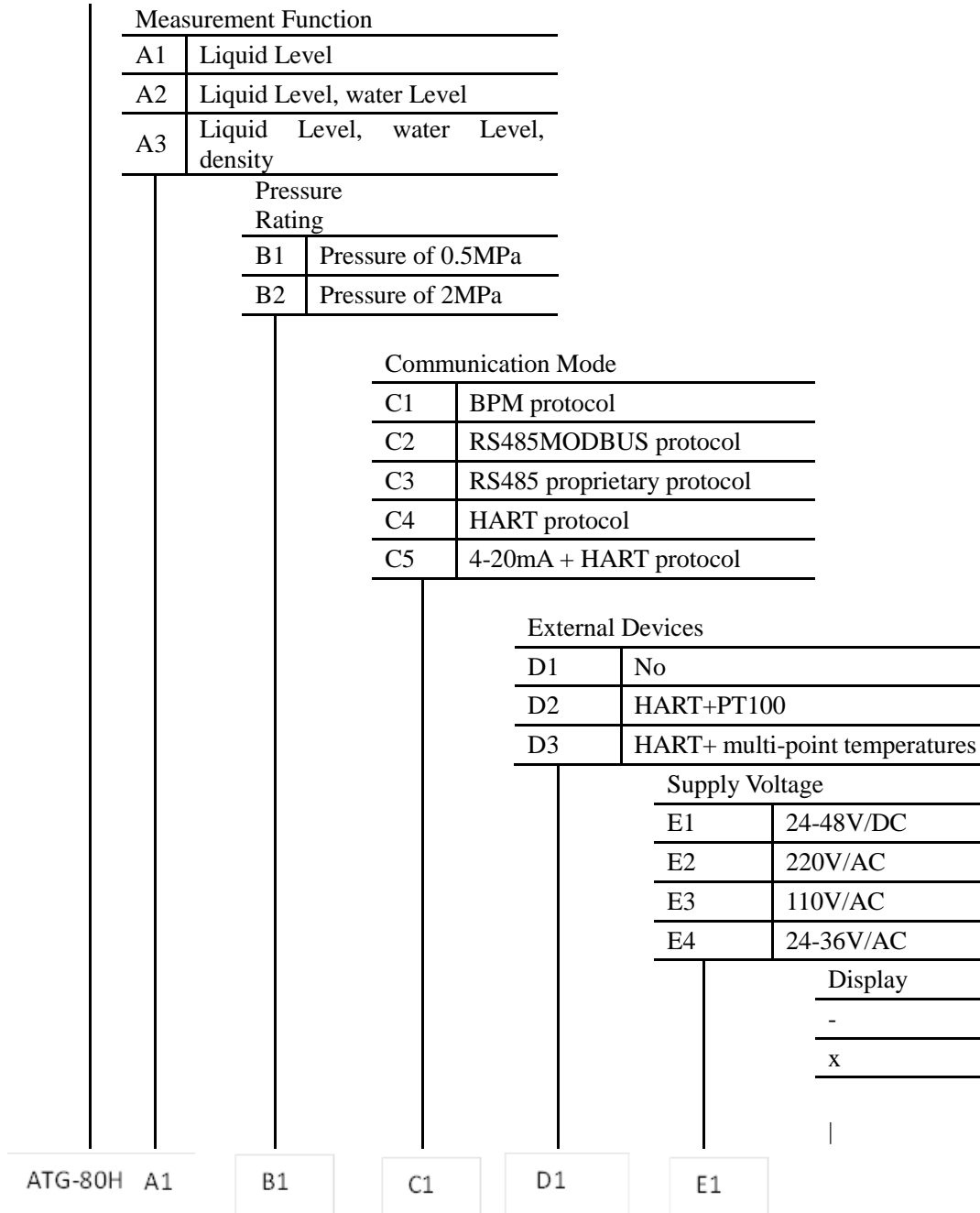


Model codes:

ATG-Series:

Code Measurement Parameters:

ATG-80H



- Note: 1) Communication Mode Option price adders for 4-20 mA or HART or BPM or MODBUS.
 2) Multi-point temperatures probe for up to 12 points are Option price adders or contact us.

➤ **NOTICE WHEN ORDERING:**

- Describe its application.
- Specify its model
- Specify working & max. Pressures.
- Specify product & max. viscosity.
- Specify min. & max. temperatures.
- Specify tanks heights & diameters
- Specify type of tanks (i.e., fixed roof, floating roof, etc)
- Specify voltage
- Other useful details or contact us

TOTAL MEASUREMENT SOLUTIONS PROVIDER
Member of Singapore Manufacturing Federation(Since1932)



GROWCO INTERNATIONAL

International Business Office :

271 Bukit Timah Road, #03-04 Balmoral Plaza, Singapore 259708

Tel : (65) 6842 1170

Email: sales@growco.biz

Distributed by:

Fax : (65) 6842 1182

Web: www.growco.biz

Growco International reserves the rights, without notice, to alter or improve the designs or specifications of the products described herein.

Origin of Singapore.